

Touch Series

Model: Touch-E

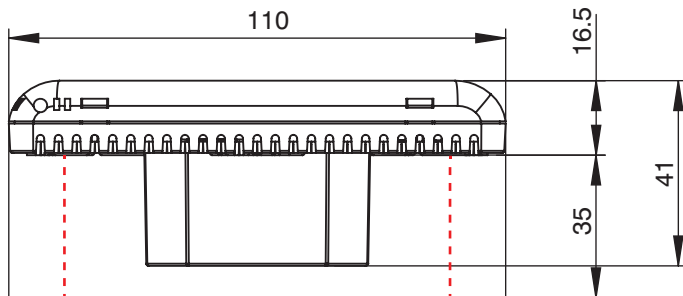


Blue Back Lit Screen	Y	°C / °F Option	Y
Non-Programmable	Y	Built In Sensor	Y
5/2 Day Programming Mode	Y	Remote Air Sensing Mode	Y
7 Day Programming Mode	Y	Floor Sensing Mode	Y
Number of Heating Levels	4	Remote Probe Included	Y
Optimum Start	Y	Max Switching Current	16A
Number of HW Times	0	Accuracy	+/-1°C
Holiday Function	Y	Adjustable Switching Differential	0.5 - 3°C
Keylock Function	Y	Supply	230VAC
Temperature Hold Function	Y	Rating	16A
Temperature Override	Y	Installed Dimensions (L,H,D)	100 x 110 x 16.5mm
Temperature Override Limit	Y	Weight	215g
Frost Protection	Y		
Networking Facility	N		

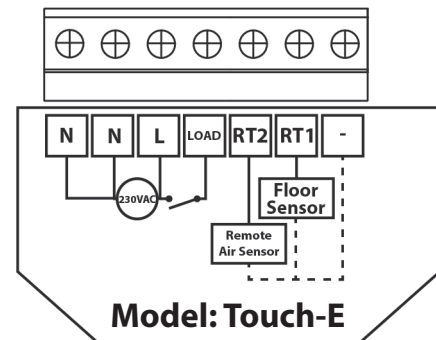
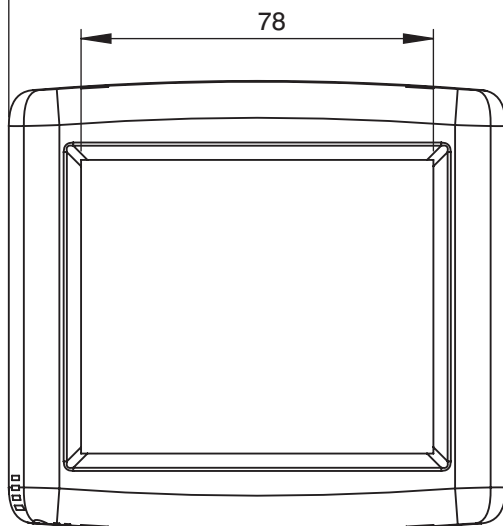
Feature Table

FEATURE	DESCRIPTION	SETTING	FEATURE	DESCRIPTION	SETTING
01	Temperature Format	00 = °C, 01 = °F (°C = Default)	08	Sensor Selection	00 = Built in Sensor 01 = Remote Air Sensor 02 = Floor Sensor Only 03 = Built In & Floor Sensor 04 = Remote Air & Floor Sensor
02	Switching Differential	1.0° - 03°C (Default 1.0°C)	09	Floor Temperature Limit	20° - 45°C (27°C = Default)
03	Frost Mode	00 = Disabled, 01 = Enabled (01 = Default)	10	Optimum Start	00-03 Hours (00 = Default)
04	Frost Protection Temperature	07° - 17°C (Default 12°C)	11	Rate of Change	Minutes to raise by 1°C
05	Output Delay	00 - 15 Minutes (00 = Default)	12	Program Mode	00 = Non-Programmable 01 = 5/2 Day 02 = 7 Day
06	Communications ID No.	Not in use on this model			
07	Up/Down Temperature Limit	00° - 10°C (00 = Default)			

Product Dimensions (mm) & Wiring Specification



Note: Fits standard 35mm depth back box



Wiring Detail

